

HS Series

High Shock Turbine Flowmeters

Description

Flow Technology's High Shock turbine flowmeters utilize a proven flow measurement technology to provide exceptionally reliable digital outputs. Because of their versatility, these flowmeters are the solution for a wide variety of liquid flow sensing applications.

The High Shock flowmeter is specifically designed to withstand pressure spikes that create hydraulic shock waves in the fluid when actuators or rams are activated. The downstream end of the meter's housing has a small step, rather than a retaining ring, which prevents internal components from being pushed through by hydraulic shock. The upstream end of the housing includes either a Truark® retaining ring, or in extreme cases, a threaded retaining ring which is screwed into the housing, clamping the internals between the downstream step and the retaining ring. Additionally, the meter's supports are mechanically locked in place so they cannot rotate in the housing.

The High Shock flowmeter's rotor blades are thicker than those found on a standard turbine meter. A radius is machined at the intersection of the blades and rotor hub, eliminating the stress point created by a 90 degree cut. In hydraulic fluid applications requiring the use of ball bearings, a step is located in the upstream bore of the rotor so it cannot be pushed over the bearing.

High Shock meters are available in sizes from 3/8-inch to 2-1/2-inches, and are capable of measuring liquid flow rates from 0.03 to 450 GPM (0.1 to 1,700 LPM). The meters' standard range is 10:1, but can be extended to 100:1.

Applications

Flow Technology's High Shock turbine flowmeters are a rugged flow measurement instrument designed for use in environments with high line pressures, hydraulic shock loads and other extreme conditions. The meter incorporates unique features making it well-suited for use in such applications as hydraulic R&D, production testing, and control of rams and valves in the petroleum industry.



HS Series
Turbine Flowmeters

Operation

A volumetric device that measures the flow of liquids, the turbine flowmeter's design is based on a freely-suspended turbine rotor which is rotated by the flow of fluid through the meter body.

Features

- Designed for environments with high line pressures and hydraulic shock loads
- Utilizes special, reinforced rotor blades
- High turndown capability, up to 100:1
- Excellent speed of response
- Repeatability of $\leq \pm 0.05\%$
- Linearity of $\leq \pm 0.05\%$ of reading over normal 10:1 range for liquid
- Operating pressure determined by end fitting selected
- Liquid flow rates from 0.03 to 450 GPM (0.1 to 1,700 LPM)
- Choice of NPT, MS, SAE 4-Bolt and Dynamic Beam Seal end fittings
- Additional end fittings available as special configurations

Model Numbering System

HS Sizing

5 Digit Series & Size	AE, NE & 62 End Fitting Nominal	DB End Fitting Nominal	Meter ID	Normal Flow Range 10:1		Extended Range									Based on Normal Range NOMINAL K-FACTOR APPROX.		
						Ball Bearings				Journal Bearings							
						RF MIN		MAG MIN		RF MIN		MAG MIN		ALL MAX			
GPM	LPM	GPM	LPM	GPM	LPM	GPM	LPM	GPM	LPM	P/G	P/L	Hz					
HS 4-6	3/8	3/8	.30 7.6	.25 2.5	.95 9.5	.03 .11	.10 .38	.10 .38	.12 .45	3 11	48000	12680	2000				
HS 4-8	1/2	7/16	.30 7.6	.25 2.5	.95 9.5	.03 .11	.10 .38	.10 .38	.12 .45	3 11	48000	12680	2000				
HS 6-8	1/2	7/16	.37 9.4	.50 5.0	1.9 19	.05 .19	.12 .45	.15 .57	.20 .76	5 19	25000	6600	2100				
HS 8-8	1/2	1/2	.40 10	.75 7.5	2.8 28	.08 .30	.16 .60	.20 .76	.25 .95	8 30	16000	4200	2000				
HS-08	1/2	9/16	.44 11	1.00 10.0	3.8 38	.10 .38	.20 .76	.25 .95	.3 1.1	10 38	12000	3170	2000				
HS-10	*5/8, 3/4	5/8	.50 13	1.25 12.5	4.7 47	.15 .57	.30 1.1	0.3 1.1	.4 1.5	15 56	9600	2540	2000				
HS-12	3/4	3/4	.56 14	2 20	7.6 76	.25 .95	.50 1.8	0.5 1.9	.5 1.9	25 94	6000	1580	2000				
HS-16	1	1	.86 22	5 50	19 190	0.6 2.3	1.0 3.7	1.0 3.8	1.0 3.8	60 227	2400	635	2000				
HS-20	1-1/4	1-1/4	1.00 25	9 90	34 340	1.0 3.8	1.5 5.6	1.0 3.8	1.5 5.7	100 378	1300	345	1950				
HS-24	1-1/2	1-1/4	1.32 34	15 150	57 570	1.6 6.0	2.5 9.4	1.6 6.0	2.5 9.5	160 605	600	160	1500				
HS-32	2	N/A	1.75 44	22 225	85 850	2.5 9.5	3.5 13	2.5 9.5	3.5 13	250 946	350	92	1300				
HS-40	2-1/2	N/A	2.22 56	40 400	151 1510	4.5 17.0	5.0 19	4.5 17	5.0 19	450 1700	180	48	1200				

Abbreviations for Units of Measure:

GPM = Gallons per Minute

LPM = Liters per Minute

P/G = Pulses per Gallon

P/L = Pulses per Liter

Black = English (US) Units

Blue = Metric (SI) Units

English units in GPM

Metric units in LPM

End Fittings

AE = AN (or MS) external straight threads, 37° flare

NE = NPT external threads

DB = Dynamic Beam Seal, per MIL-F-85720/1

Note: "DB" fitting available up to size HS-24

62 = SAE Code 62, 4-bolt split flange

Note: "62" fitting available for HS 4-8 - HS-32

* HS-10 "AE" fitting is 5/8". NE and 62 fittings are 3/4"



AN (MS)



NPT



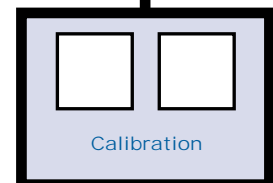
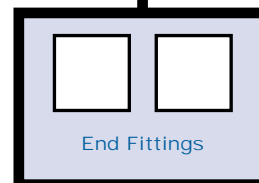
SAE Code 62



Dynamic Beam Seal

Calibration

CODE	DESCRIPTION
Note: W=Water, S=Solvent, B=Oil Blend Viscosity must be provided with oil blend calibrations "B"	
NW	10 point, normal 10:1 range, in water
NS	10 point, normal 10:1 range, in solvent
NB	10 point, normal 10:1 range, in oil blend
XW	10 point, extended range, in water
XS	10 point, extended range, in solvent
XB	10 point, extended range, in oil blend
TW	20 point, normal 10:1 range, in water
TS	20 point, normal 10:1 range, in solvent
TB	20 point, normal 10:1 range, in oil blend
YW	20 point, extended range, in water
YS	20 point, extended range, in solvent
YB	20 point, extended range, in oil blend
U2	Universal Viscosity Curve, 2 Viscosities (specify minimum viscosity & maximum viscosity). 10 points each viscosity
U3	Universal Viscosity Curve, 3 Viscosities (specify minimum viscosity & maximum viscosity). 10 points each viscosity



Special

If the full normal 10:1 flow range or the full extended flow range is required and the units of measure are GPM, insert a dash “-” in this location for standard range and units.

If a flow range other than the normal 10:1 or extended flow range, or if units of measure other than GPM are required, insert an “S” in this position. When an “S” is used in this position, the minimum and maximum flow range, as well as the units of measure must be spelled out.

Liquid

Materials of Construction

MATERIAL CODE	HOUSING	ROTOR
E	316 SST	430F SST

Bearings

Bearing selection will affect flow range. Refer to sizing specification table for correct flow ranges.

- A — Ball Bearings (440 C)
- D — Carbide Journal (Carbide Shaft & Sleeve) liquid only

Please note:

Highlighted areas indicate standard base price configuration.

Pickoffs

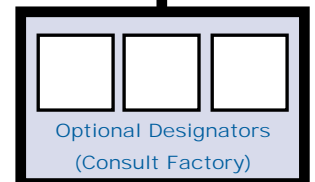
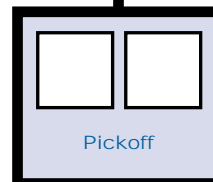
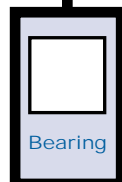
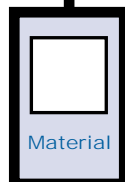
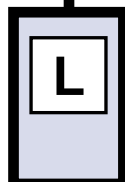
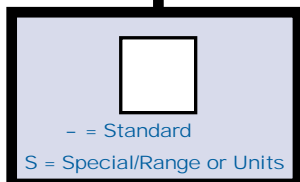
The following is a listing of some of the pickoffs that are available from Flow Technology.

- 1 = Modulated Carrier, MS connector
- 2 = Magnetic, MS connector
- 3 = Magnetic, flying leads/threaded connection
- 5 = Modulated Carrier, flying leads/threaded connection
- 6 = Magnetic, MS connector, 750° F/400° C max
- 7 = Magnetic, flying leads/threaded connection 750° F/400° C max
- L = Modulated Carrier, MS connector, 750° F/400° C max
- M = Modulated Carrier, flying leads/threaded connection 750° F/400° C max
- T1 = Modulated Carrier w/RTD, MS connector
- T2 = Magnetic w/RTD, MS connector
- T3 = Magnetic w/RTD, flying leads/threaded connection
- T5 = Modulated Carrier w/RTD, flying leads/threaded connection
- X = Modulated Carrier, I.S. approved, MS connector
- XX = Modulated Carrier, I.S. approved, flying leads/threaded body
- U = Magnetic, I.S. approved, MS connector
- TT = Magnetic, I.S. approved, flying leads/threaded body

Notes:

1. Maximum temperature rating of pickoffs are 350° F (177° C) unless otherwise noted.
2. See Amplifier Link literature for amplified pickoff codes.

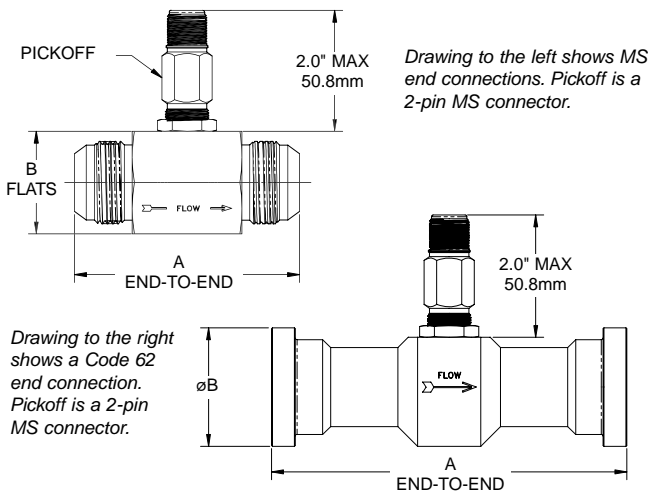
Optional Designators



Dimensions

AE, NE or DB Fittings				
Series	A		B	
	in.	mm	in.	mm
HS4-6	2.45	62	1.00	25
HS-8	2.45	62	1.00	25
HS-10	2.72	69	1.38	35
HS-12	3.25	83	1.38	35
HS-16	3.56	90	1.63	41
HS-20	4.06	103	1.88	48
HS-24	4.59	117	2.25	57
HS-32	6.06	154	2.75	70
HS-40	8.90	226	3.50	89

Code 62 Fittings				
Series	A		B	
	in.	mm	in.	mm
HS-8	4.64	118	1.25	32
HS-10	5.13	130	1.63	41
HS-12	5.13	130	1.63	41
HS-16	5.63	143	1.88	48
HS-20	5.63	143	2.13	54
HS-24	6.63	168	2.50	64
HS-32	7.63	194	3.13	80



Specifications

Materials of Construction

Standard	316 SST Housing 430F SST Rotor 440 C Ball Bearings Stainless steel all other wetted parts
----------	--

Operating Temperature Range

Defined by pickoff and bearing selection

Bearing Type

Temperature Limits:

440 C stainless steel ball bearings	-450° F to +300° F (-270° C to +150° C)
-------------------------------------	---

Note: Not recommended for water service.

Tungsten carbide journal bearings	-100° F to +1,200° F (-75° C to +650° C)
-----------------------------------	--

Pickoff Type

Temperature Limits:

Magnetic Output:	-430° F to +350° F (-260° C to +177° C)
	10 mV min.

High Temp. Magnetic Output:	-430° F to +750° F (-260° C to +400° C)
	10 mV min.

Modulated Carrier (RF)	-300° F to +350° F (-185° C to +177° C)
------------------------	---

High Temp. (RF)	Up to 750° F (400° C)
-----------------	-----------------------

Pickoff Electronic Connections

MS Connector	
2-pin, standard pickoff:	15-89515-101
3-pin, amplified pickoff:	15-89515-102
4-pin, pickoff with RTD:	15-93825-01

Threaded Connection with Leads	
Junction Box with Terminal:	73-31836-105

Operating Pressure Range

Defined by end connection

Filtration Recommendations

Ball Bearings	10 micron to 100 micron (with less filtration for large sizes)
Journal Bearings	100 micron

Performance Specifications

Performance specifications are based on a viscosity of 1.2 centistokes using ball bearings.

Calibration Accuracy $\leq \pm 0.05\%$ of reading (accuracy of primary flow calibration standard directly traceable to NIST)

Repeatability $\leq \pm 0.05\%$ of reading

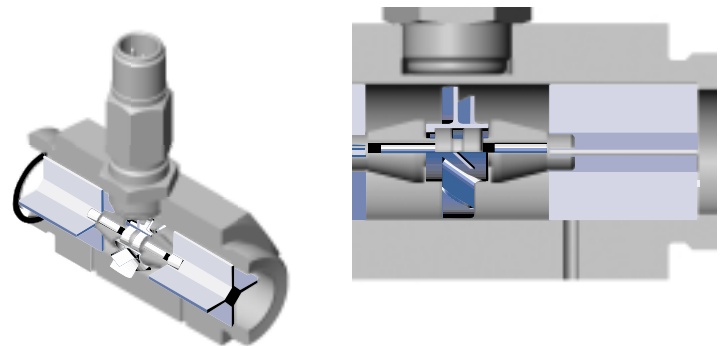
Linearity $\leq \pm 0.5\%$ of reading over the normal 10:1 flow range

Pressure Drop $\pm 0.1\%$ of reading with linearizing electronics
Less than 700 mBAR (10 psid) at maximum 10:1 flow rate

Dynamic Response Less than 10 mS response to a step input change of flow rate

Specifications are for reference only and are subject to change without notice.

Diagrams



Local Representative:



4250 E. Broadway Road, Phoenix, Arizona 85040 USA
Tel: (602) 437-1315 • Fax: (602) 437-4459 • Toll Free: 1-800-528-4225
E-mail: ftimarket@ftimeters.com • Web: www.ftimeters.com